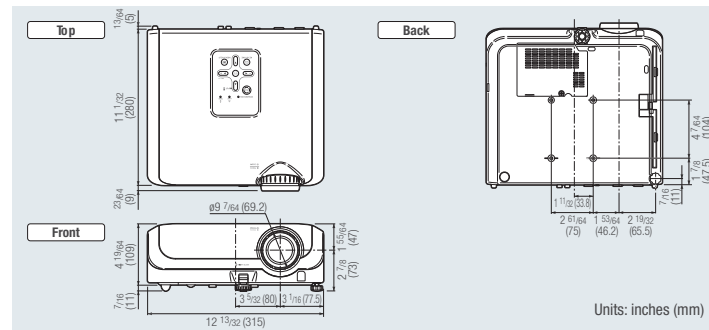


PG-F320W



Dimensions



Optional Accessories

Lamp	USB Remote Receiver	Cable	Ceiling Mounts		
AN-F310LP	AN-MR2	AN-C3CP2 3 RCA to mini D-sub 15 pin cable (10' (3 m))	AN-TK201 For high ceiling installation	AN-TK202 For standard ceiling installation	AN-60KT Installation adaptor

Note: Some of the optional accessories may not be available depending on the region. Please check with your nearest Sharp Authorized Projector Dealer or Service Center.

Specifications

Model		PG-F320W
Display device		0.65" DLP® chip x 1
Resolution		WXGA (1,280 x 800)
Brightness		3,000 ANSI lumens
Contrast ratio		2,000:1
Lens	F number	F2.4-2.6
	Zoom	Manual, x1.15 (f=18.7 – 21.5 mm)
	Focus	Manual
Input signals	DTV	1080P / 1080i / 720P / 576P / 576i / 540P / 480P / 480i NTSC / PAL / SECAM
	Computer RGB	LXGA**2 / SXGA**1 / WXGA / XGA / SVGA / VGA Mac 21**1 / 19" / 16" / 13"
Input terminals	DVI-I (Compatible with HDCP)	x1
	Computer / Component (mini D-sub 15 pin)	x1
	S-Video (mini DIN 4pin)	x1
	Video (RCA)	x1
	Audio (ø3.5 mm stereo minijack)	x1
	Audio (RCA)	x2 (L/R)
Output terminals	Computer / Component (mini D-sub 15 pin)	x1
	Audio (ø3.5 mm stereo minijack)	x1 (variable audio output)
Control and communication terminals	LAN (RJ-45)	x1
	USB (Type B)	x1
	RS-232C (mini DIN 9 pin)	x1
Horizontal frequency		15 – 110 kHz
Vertical frequency		45 – 85 Hz
Speaker		2 W (mono)
Fan noise		35 dB (Bright), 30 dB (Eco+Quiet)
Projection lamp		275 W
Lamp life		3,000 hours (Eco+Quiet)
On-screen display languages		English, German, Spanish, Dutch, French, Italian, Swedish, Portuguese, Simplified Chinese, Korean, Japanese, Russian, Arabic, Polish, Turkish
Rated voltage		AC 100-240 V
Rated frequency		50/60 Hz
Input current		3.7 A
Power consumption (standby)		363 W (10.5 W) with AC 100 V, 349 W (11.0 W) with AC 240 V
Operation temperature		41°F to 95°F (+5°C to +35°C)
Dimensions (main body only) W x H x D		12 13/32" x 4 19/64" x 11 1/32" (315 x 109 x 280 mm)
Weight (approx.)		9.1 lbs. (4.1 kg)
Supplied accessories		Remote control, two R-6 batteries, power cord (6' (1.8 m)), RGB cable (10' (3.0 m)), lens cap (attached), DIN-D-sub RS-232C adaptor (5 5/16" (15 cm)), storage case, operation manual, CD-ROM

Design and specifications are current as of November 2007, but are subject to change without notice.

- *1 Compatible in intelligent compression *2 Analogue RGB signal only
- DLP® and the DLP logo are registered trademarks of Texas Instruments and BrilliantColor™ is a trademark of Texas Instruments.
- All company and/or product names are trademarks and/or registered trademarks of their respective manufacturers. Sharp makes no warranties or representations of any kind with respect to these products.
- The lamp life may vary depending on the usage condition.



SHARP BUSINESS SYSTEMS (INDIA) LIMITED

214-221, ANSAL TOWER, 38 NEHRU PLACE, NEW DELHI 110 019.
TEL: 46665555, 46665462, FAX: 46665477, 46665475; URL <http://www.sbsil.com>

Toll Free: 1800-4254-321 - ALL INDIA

North: New Delhi: 46665555, 46665462 • Chandigarh: 5079536, 2647745 • Jaipur: 5106950, 9829047966
Lucknow: 2324796, 9935090287 • Raipur: 2582367; 9893547693

East: Kolkata: 22816743 / 9831249945 • Guwahati: 2662216, 9954066977

West: Mumbai: 66793931 / 32 • Pune: 25531010, 25520608 • Ahmedabad: 30022961 / 26580734

South: Bangalore: 22353535 – 38 • Chennai: 28171562, 28172538 • Hyderabad: 66661001, 66661003-6 • Kochi: 2314154, 9947612539



PG-F320W
True WXGA Data Projector



New WXGA-Compatible Projector with BrilliantColor™ Technology, Networking and a Variety of Functions Applicable with Wide-Aspect Media, Providing High-Quality Performance



© SHARP CORP. Printed in India by AEP - Tel: 9811910137 - May 2008

Highly Reliable DLP® Projector Provides Wide-Screen Images with Vibrant Colour from BrilliantColor™ Technology, Improving Presentation Performance for Business Conferences and School Applications

Cutting Edge Technology Provides High-Quality Picture

WXGA Compatibility

The 16:9 wide-screen aspect ratio is becoming increasingly common for video and computers, and the PG-F320W projector uses wide-screen-compatible WXGA (wide XGA, 1280 x 800). WXGA provides a viewing area 1.3 times larger than standard XGA (1024 x 768), delivering a wide picture in full native size. The projector can be used in a variety of applications, such as business meetings with wide-screen computers as well as at schools and stores to display wide-aspect video content. In addition, compatibility with digital high-definition 1080p signals enables using the PG-F320W as a theatre projector.

WXGA panel



The full native-size picture is displayed.

4:3 panel



Parts of the picture are not displayed.

BrilliantColor™ Technology

BrilliantColor™ technology achieves greater picture brilliance while providing more superior colour nuances by using a new colour-processing algorithm as well as processing that improves the picture quality from the system-level colour signal. Brilliance is particularly improved for images with intermediate colours, such as video and natural landscapes.



2000:1 High-Contrast, High-Quality Image

By utilizing the DLP® optical system and Sharp's optical technology, the projectors produce crisp details and sharper blacks in black parts thanks to a 2000:1 high contrast ratio.

Comparison of Contrast Ratio



PG-F320W



Models in the same class as these generally provide a contrast ratio of 400:1.

DLP® Digital Image

Using DLP® chip, each pixel is individually composed of one of over a half a million micromirrors to produce a high resolution, and the micromirrors lie at a distance of merely one micron, providing a seamless finely detailed picture. Also, high-speed on/off switching delivers smooth moving scenes.

High-Resolution Seamless Image Comparison



DLP® Aperture Ratio: 90% (PG-F320W)

Aperture Ratio: 60%

3x Speed Colour Wheel

The projectors employ a colour wheel with an engine speed of up to 3x, improving colour break-up to an invisible level. Also, the non-contact Fluid Dynamic Bearings for the high-speed rotating colour wheel axle have a longer lifespan.

IP Conversion from TrueVision™ Image Processing

TrueVision™ Image Processing provides optimal video performance. The motion-adaptive scan images produce smooth moving scenes and ensure smooth natural lines and edges.



Without TrueVision™ Image Processing

With TrueVision™ Image Processing

High-Performance Projection Elements

High Brightness: 3000 ANSI Lumens

Sharp's advanced optoelectronics technology maximizes light output, providing crystal clear images in amazingly high brightness.

Low Fan Noise

The DLP® high-speed colour wheel with non-contact Fluid Dynamic Bearings together with multiple ultra-quiet cooling fans reduce unpleasant noise, enabling quiet operation at 30dB in Eco + Quiet mode. The operation is so quiet it causes no disturbance even in meetings or school classes.

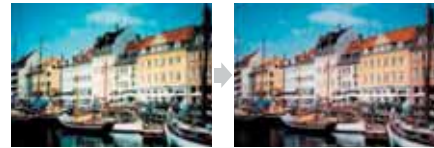
High-Quality Reliability

Long-Life High-Performance DLP® Picture

With DLP® technology minimally absorbing high-output light, the projectors maintain uniform colour reproduction capability for a long period of time. Also, DLP® chip formation with finely structured mirrors provides stable performance and delivers high-quality pictures for longer periods. The DLP® chip contributes to a long lifespan.

In addition, because there is no burn-in or remaining afterimage, the projectors are ideal for still picture projection such as for guidance board applications and projecting CAD images.

DLP® projection

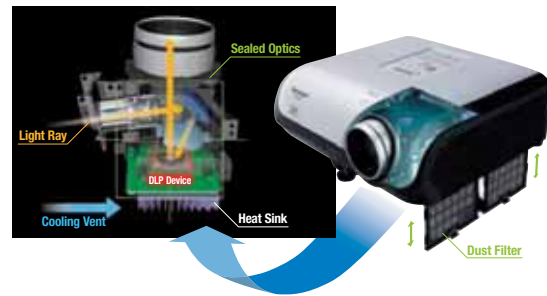


After 4,100 hours (The picture shows no significant deterioration even after using the DLP® chip 4,100 hours.)

* By RIT/Munsell Colour Science Laboratory Test

Double Sealed Mechanism

The optical mechanism is sealed in its structure, preventing dust, dirt and smoke from entering core parts of the optics to a much greater degree. Plus, filters have been added for an enhanced interactive combination to even further block entry of these elements.



Multiple Connections for a Wide Range of Applications

Multiple Input Terminals

Projectors can be connected to DVD players, cable or satellite boxes, laptop and desktop computers, HDTV tuners, VCRs and video game consoles. DVI-I and D-sub terminals (in/out) are also provided.



PG-F320W

Other Outstanding Features

- 4:3 and 16:9 Aspect Ratios and HDTV/DTV and DVD Compatible (1080P, 1080i, 720P, 576P, 576i, 540P, 480P and 480i).
- Image Shift Function
Images projected in 16 x 9 format can be vertically shifted for better viewing in limited spaces.
- Auto Keystone Correction
- Presentation Support: Freeze, AV Mute
- Theft Deterrent Function "System Lock"
- Key Lock Function

Intuitive Design for Simple Operation

Setup Guide for Interactive Operation

The PG-F320W Setup Guide provides intuitive OSD images to show the next step interactively for setup including focus, zoom and height adjustment.

Setup Guides



Setup guide is displayed after the projector is turned on.

Interactive Help Menu

The Help Menu displays any problems and assists the user in solving problems with operation.



Advanced Picture Mode

Quickly and directly choose the appropriate settings for the picture mode and lamp brightness to match the intended application.



"Picture Mode" triggers on the Menu and the remote control.

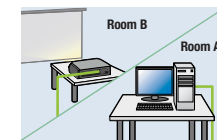
Sharp Unique Network System

Web Browser Control

Web browser control enables remote access and management of the projector by utilizing built-in firmware without the need for additional special software.

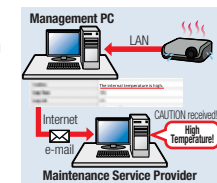
Remote Access for Control and Adjustment

Projector control functions, including power on, input select, volume, and AV mute as well as projector settings can be controlled and adjusted using a computer even in another room.



Diagnosis and Auto Email Sending

Email is automatically sent to appointed addresses when detecting an error, such as the lamp going out, unusual heating or cooling fan breakdown.



Link to a Specific Website for Service and Support

Specific websites addresses, such as for service and maintenance companies, can be saved to be displayed on the screen of a connected computer if an error occurs with the projector. For example, the web address of a lamp vendor can be saved so that the site can be accessed with the displayed link if the lamp burns out, thereby enabling the user to directly purchase a replacement. The display can also show the phone numbers, messages and e-mail addresses.



Universal Design

The beeping sound informs the user when the power is on and cooling down has completed. Also, intuitive button layout allows the user to operate the projector simply.



Intuitive Button Layout

Direct Power Off Function

Direct Power Off lets users immediately unplug the projector and take it from the location. In addition, it also helps control the power simultaneously for multiple projectors by using the room's primary power switch with the auto restart function.

Quick Start

It takes only approx. 3 seconds to project the image.

Presentation Assist Remote Control

A variety of functions can all be performed with the projector remote control to aid your presentations: mouse control, page up and down, spotlight and pointer.



Remote Control

Control with Downloadable Display Manager

A greater variety of network projector control options can be used when the Sharp Display Manager* is installed on the main computer.

* Sharp Display Manager can be downloaded from the Sharp Global Home Page for free. Sharp global homepage URL: <http://sharp-world.com/projector>

Remote Access for Multiple and Group Projector Control

A management computer can control multiple projectors simultaneously.



Periodic Error Diagnosis and Auto Email Sending

The Display Manager sends error messages and periodic reports.



Theft Detection and Message

A warning message will appear on the screen of a computer when projector cables are disconnected.



PJLink™ Capability

The PG-F320W is compatible with devices that support PJLink™, enabling systems to be easily built for centralized management and operation using a controller. For additional information about the PJLink™, visit <http://pjlink.jbma.or.jp/english/>

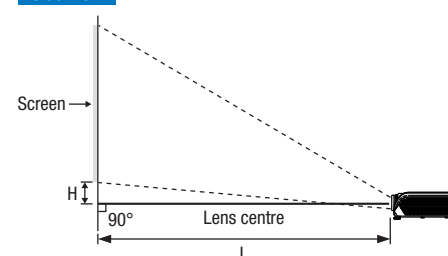
Control System Compatibility

The PG-F320W provides superior compatibility with various control systems such as Crestron, AMX and Extron.



Correlation of the Projector to the Screen

Side View



Screen Size and Projection Distance

Picture size	Projection distance [L]		Distance from lens centre to the bottom of the image [H]	
	Minimum (m)	Maximum (m)	Minimum (m)	Maximum (m)
300"	28'11" (8.8)	33'8" (10.3)	12" (32)	
200"	19'6" (5.9)	22'6" (6.9)	8" (22)	
150"	14'5" (4.4)	16'8" (5.1)	6" (16)	
100"	9'9" (3.0)	11'1" (3.4)	4" (11)	
80"	7'9" (2.4)	8'11" (2.7)	3" (9)	
40"	3'11" (1.2)	4'5" (1.4)	1" (4)	

4:3 Signal Input (Normal Mode)

Picture size	Projection distance [L]		Distance from lens centre to the bottom of the image [H]	
	Minimum (m)	Maximum (m)	Minimum (m)	Maximum (m)
300"	32'9" (10.0)	38'1" (11.6)	14" (37)	
200"	22'0" (6.7)	25'6" (7.8)	9" (24)	
150"	16'4" (5.0)	18'10" (5.8)	7" (18)	
100"	11'0" (3.4)	12'7" (3.8)	4" (12)	
80"	8'10" (2.7)	10'1" (3.1)	3" (10)	
40"	4'5" (1.3)	5'0" (1.5)	1" (5)	

* Allow a margin of error in the above values.